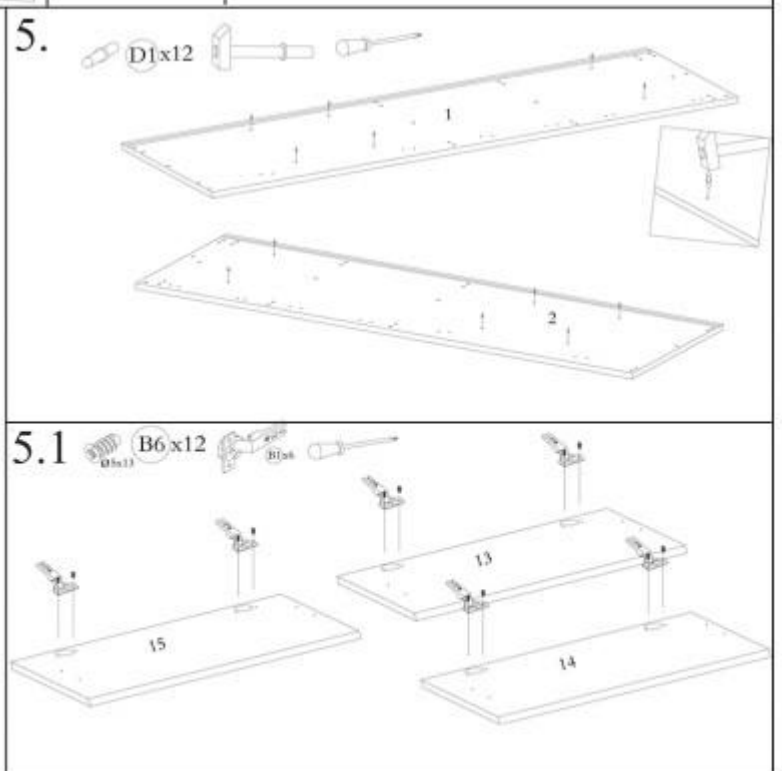
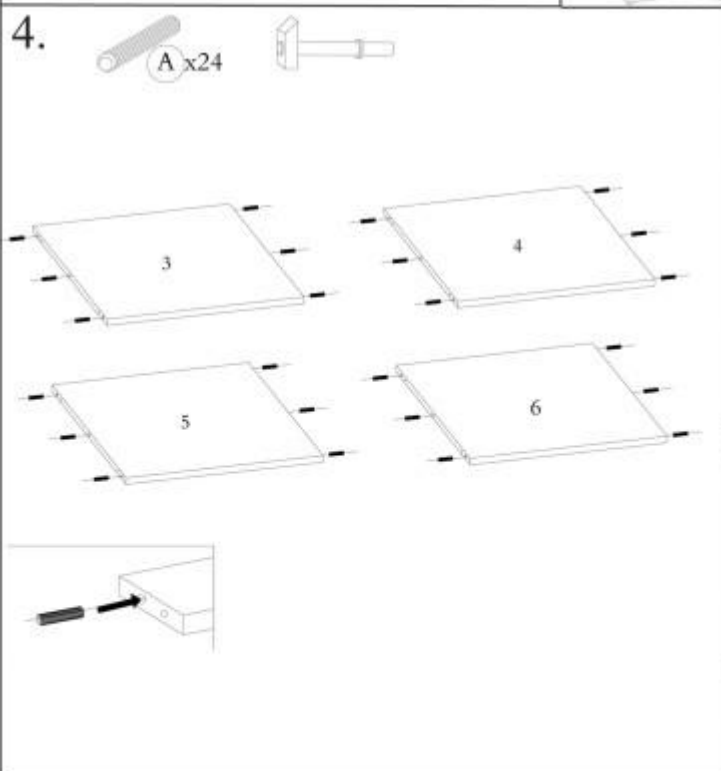
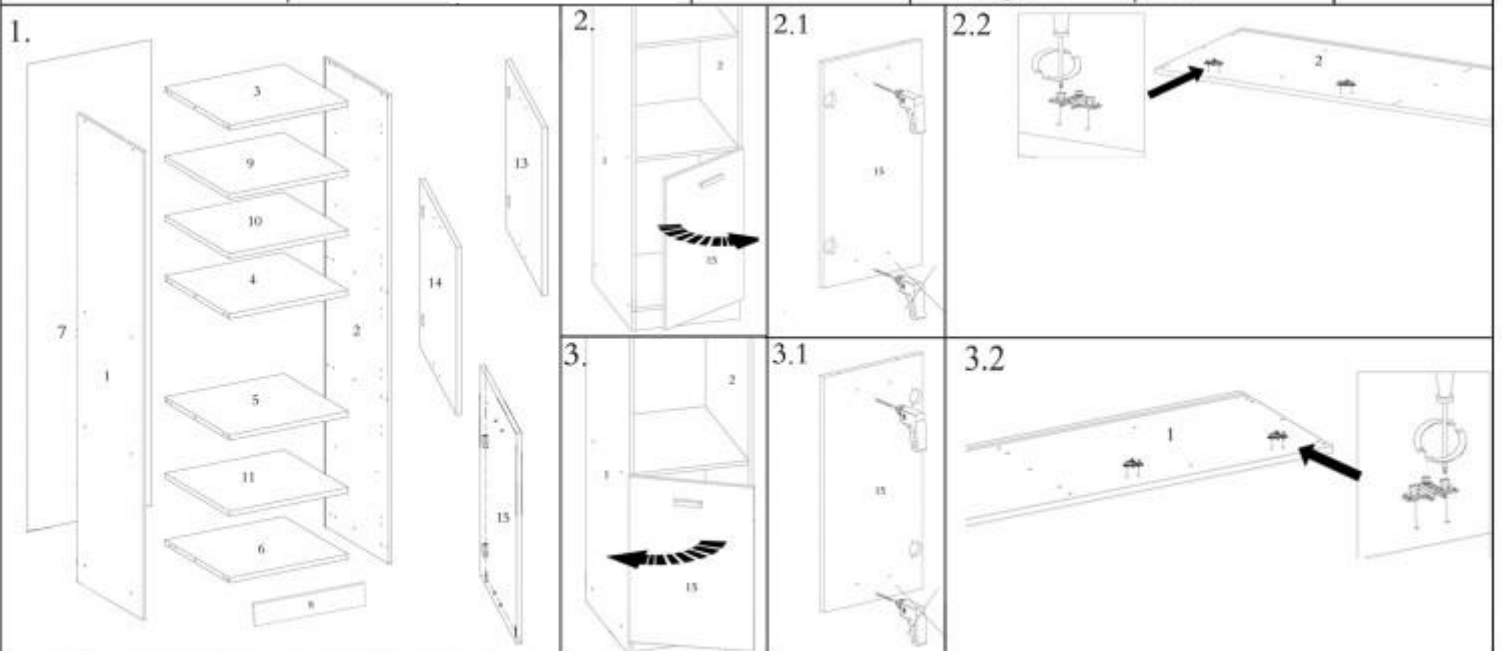
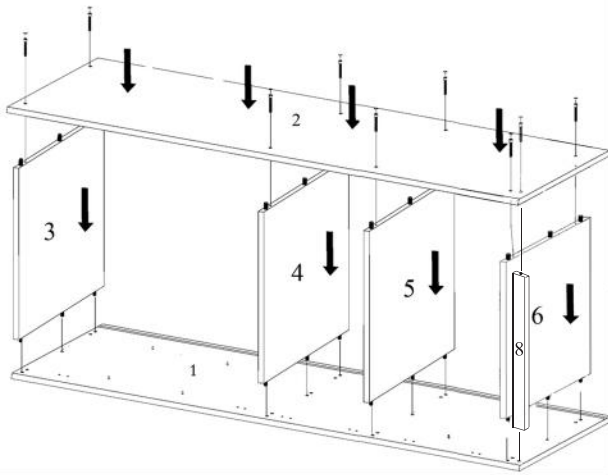


# ECO SPD6-4

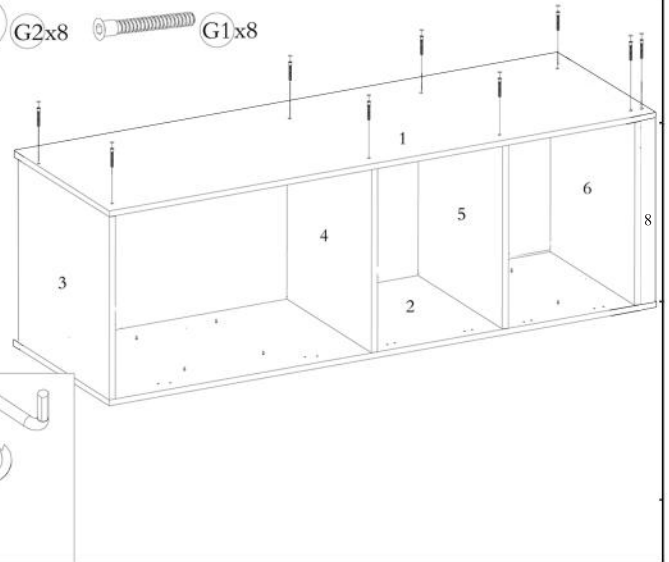
	<b>K</b> x1 	<b>G1</b> x18 	<b>I2</b> x6  $\varnothing 4 \times 28$	<b>B6</b> x12  $\varnothing 5 \times 13$	<b>R3</b> x8  $\varnothing 4 \times 16$	<b>N1</b> x20  25mm
	<b>A</b> x26 	<b>D1</b> x12 	<b>G2</b> x18 	<b>B1</b> x6 	<b>B5</b> x6 	<b>x4</b> 
	<b>x1</b> 	<b>I1</b> x3 	<b>L</b> x6 	<b>L2</b> x6 		



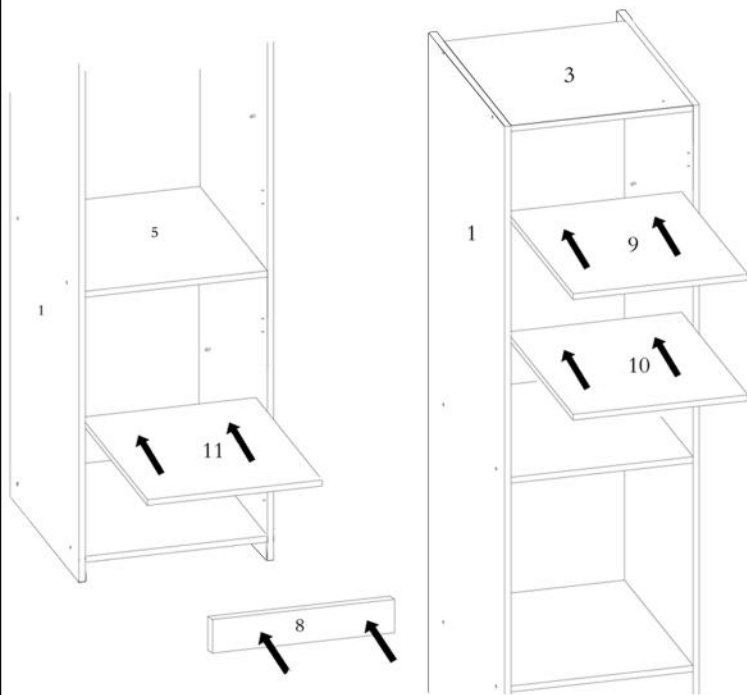
6.  



6.1  



7.



    $\text{I}2 \times 6$   $\text{I}1 \times 3$

