

D 3



G1x10



P2 2
Ø4x30



Ø4x28 I2 x2



B6 x4
Ø5x13



N2 x4



D1 x4



I1 x1



K x1



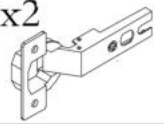
N1 x20
25mm



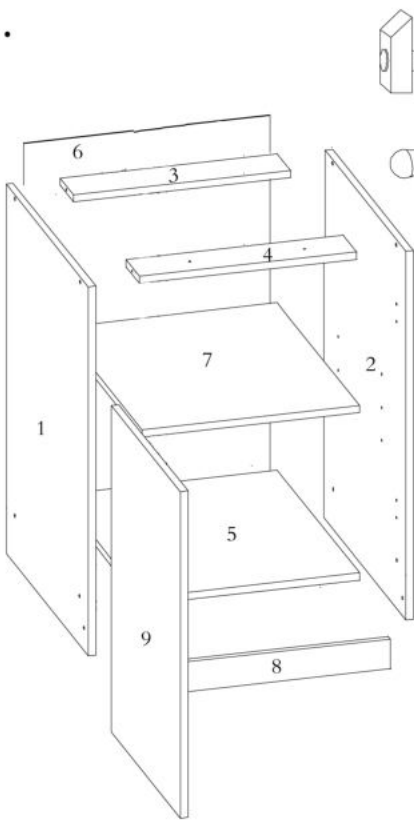
B5 x4



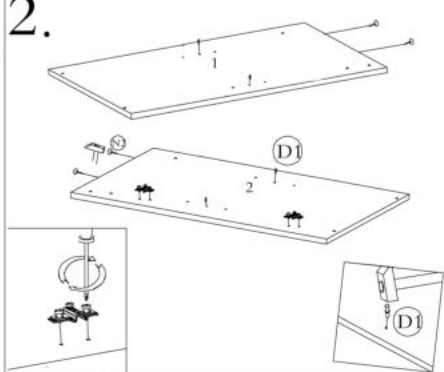
B1 x2



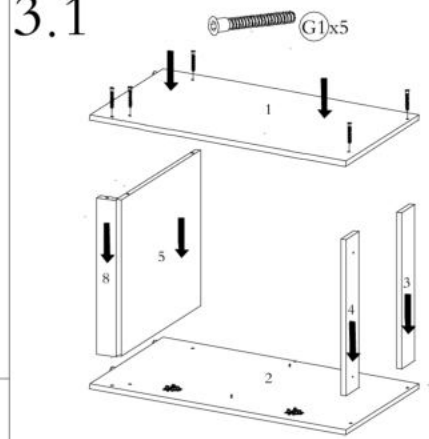
1.



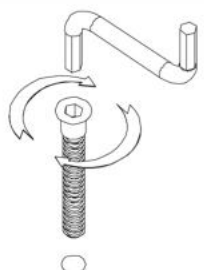
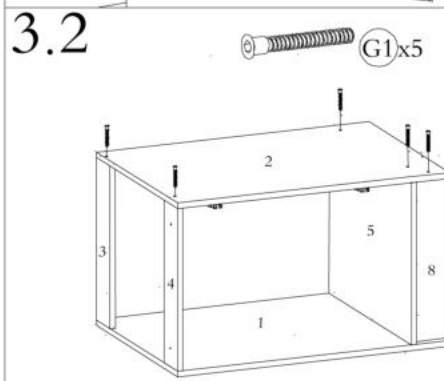
2.



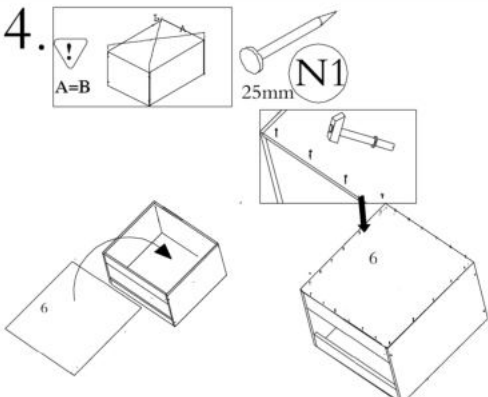
3.1



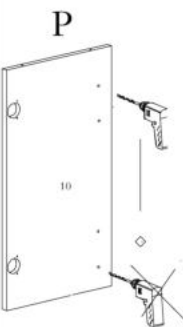
3.2



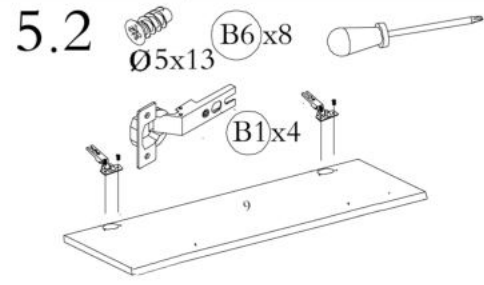
4.



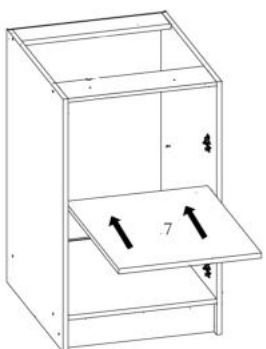
5.1



5.2



6.



7.

