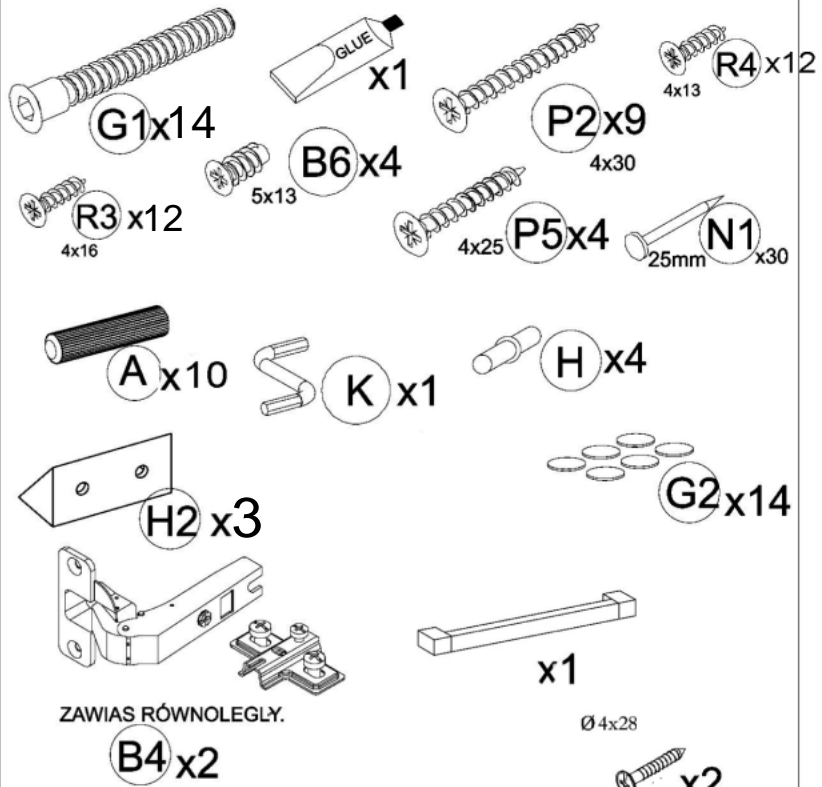
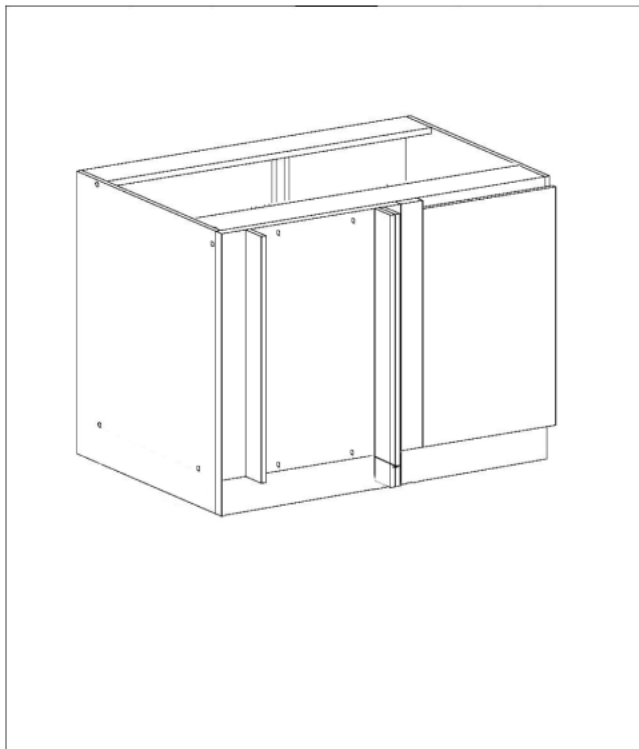
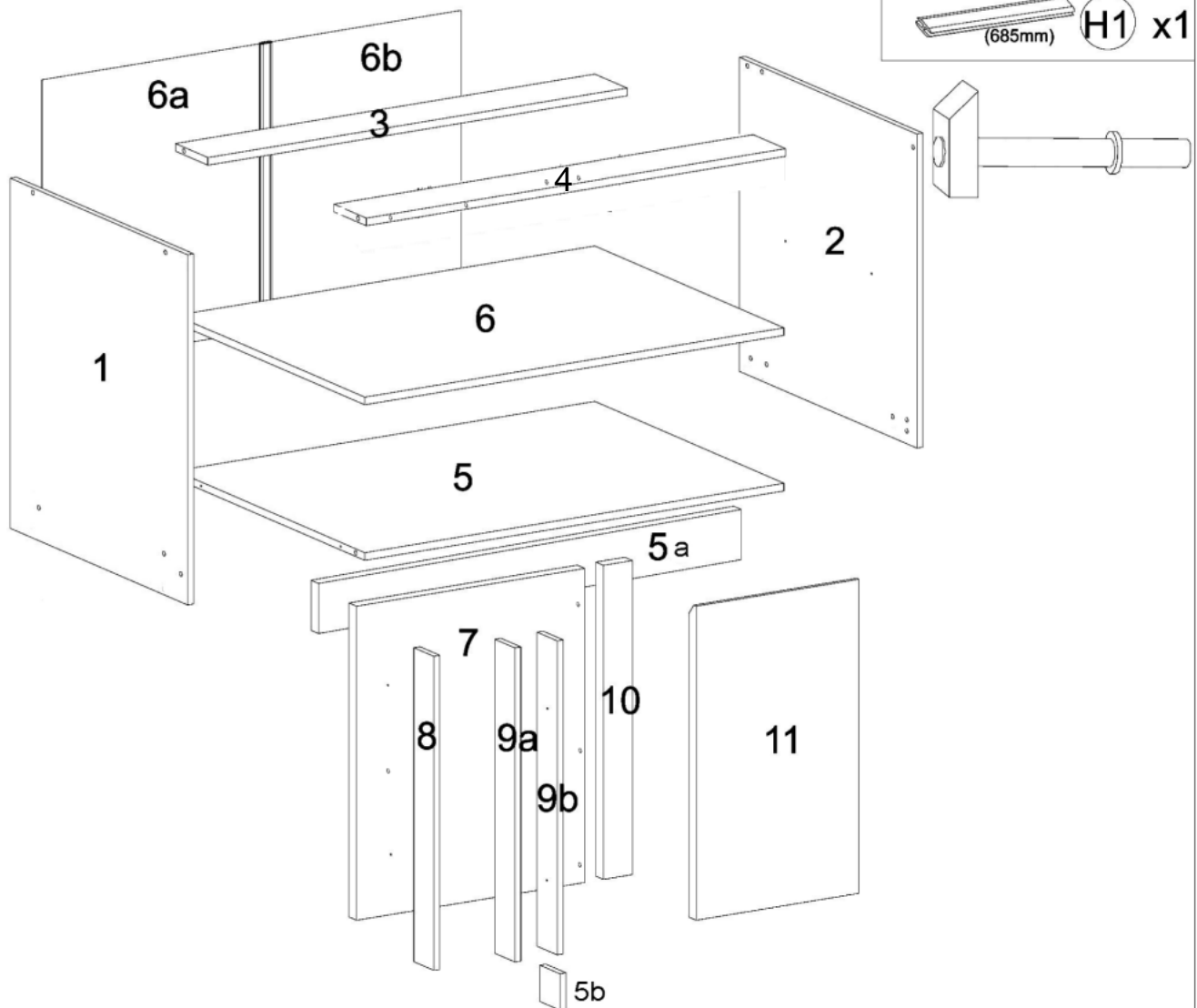



DPP -8 L / P

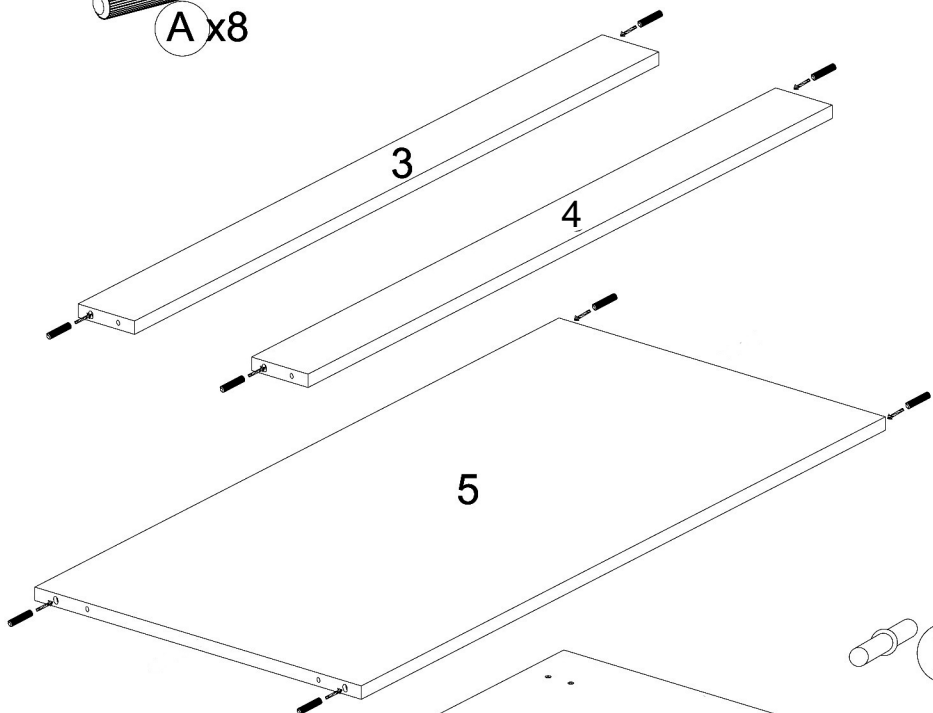


1.

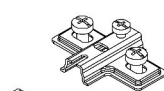
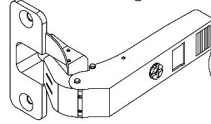


2.

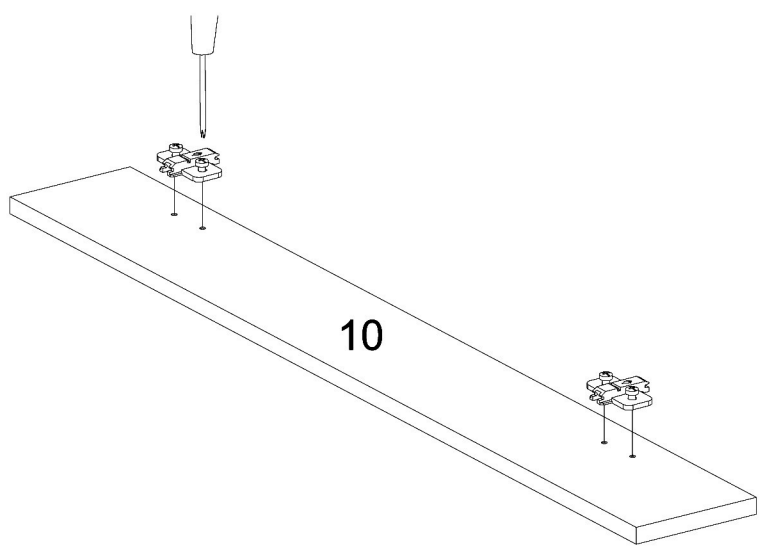
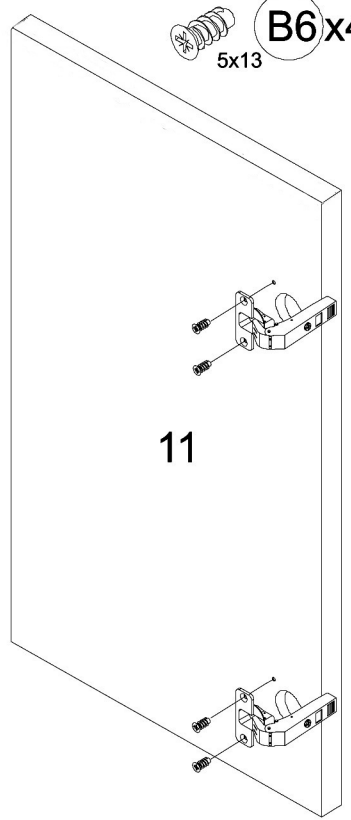
 A x8

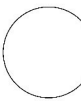
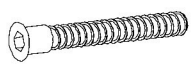


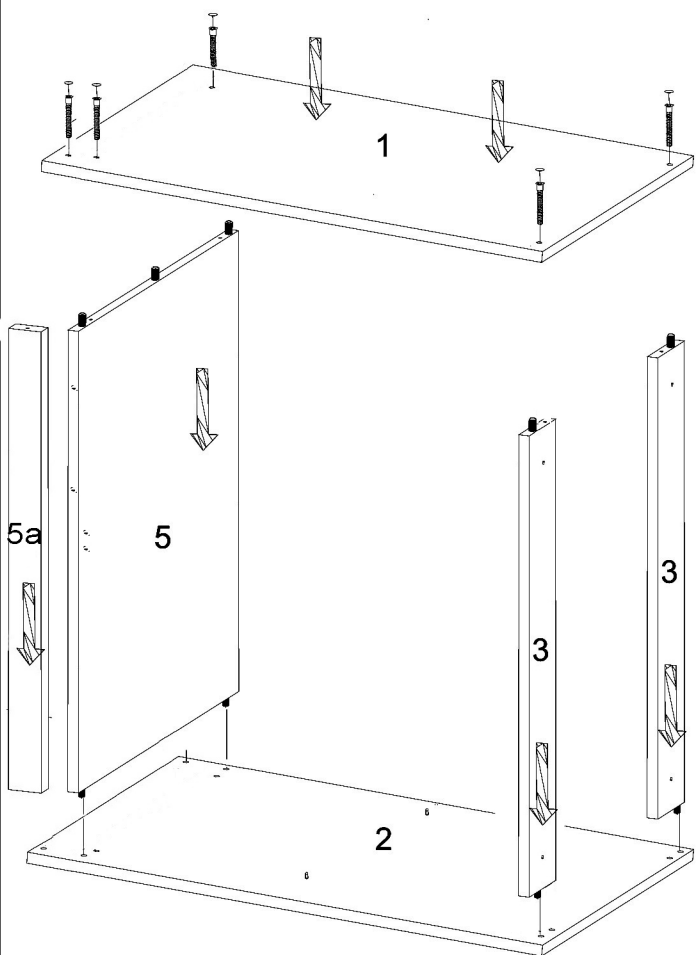
 H x4


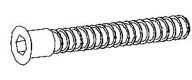

 B4 x2

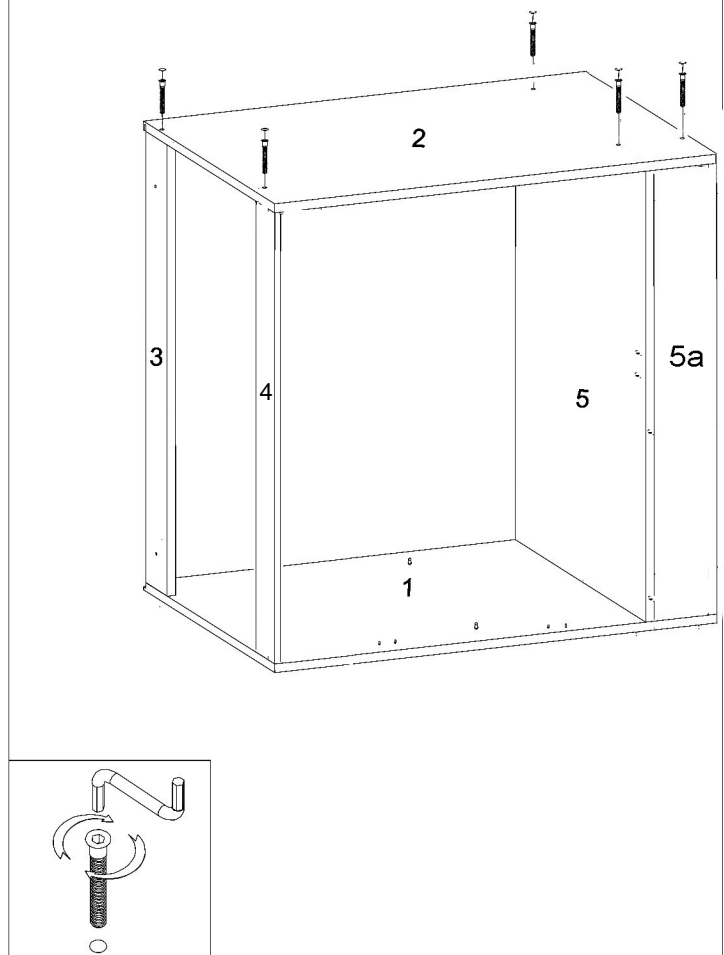
 B6 x4
5x13

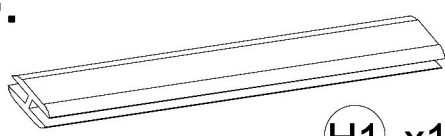


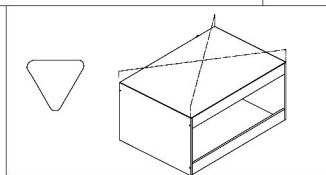
3.  G2x4  G1x4




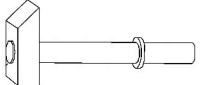
4.  G2x4  G1x4

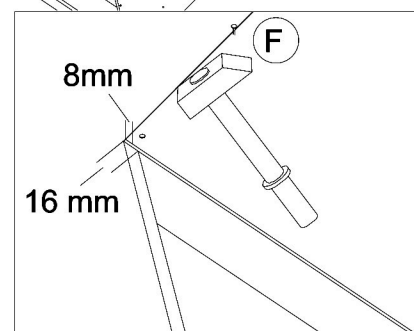
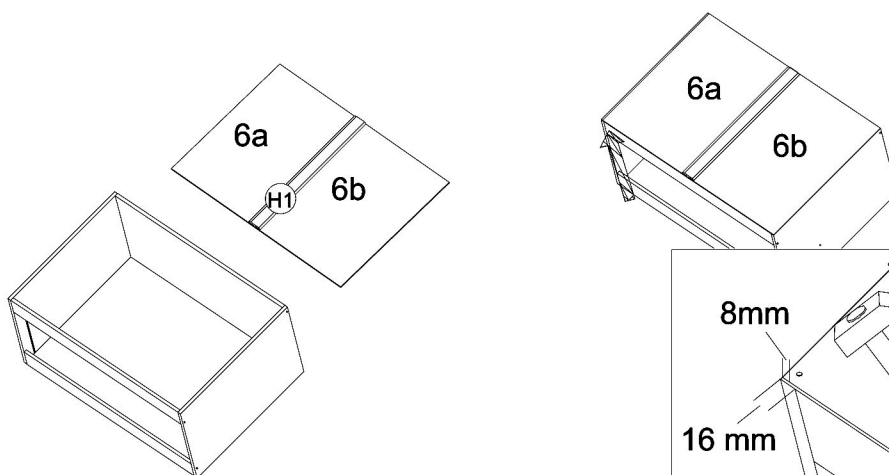


5.  H1 x1

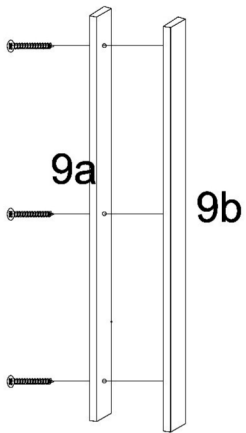


5.2

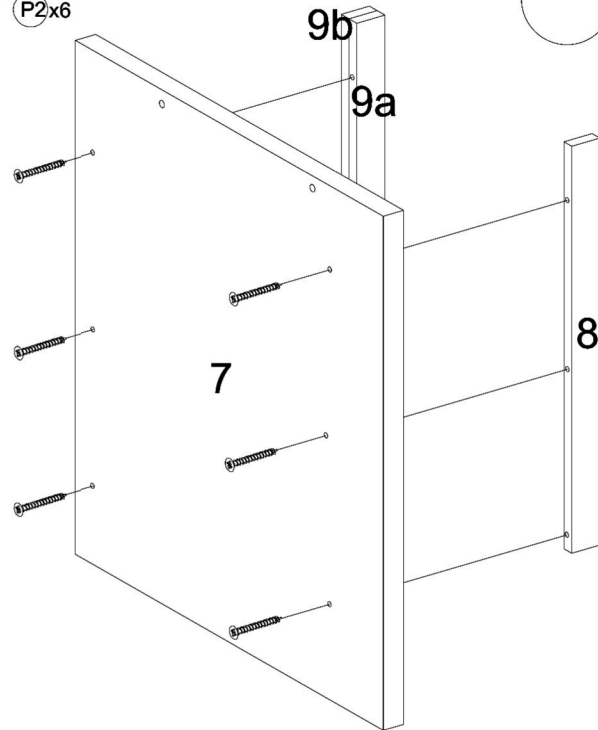
 N1x30 



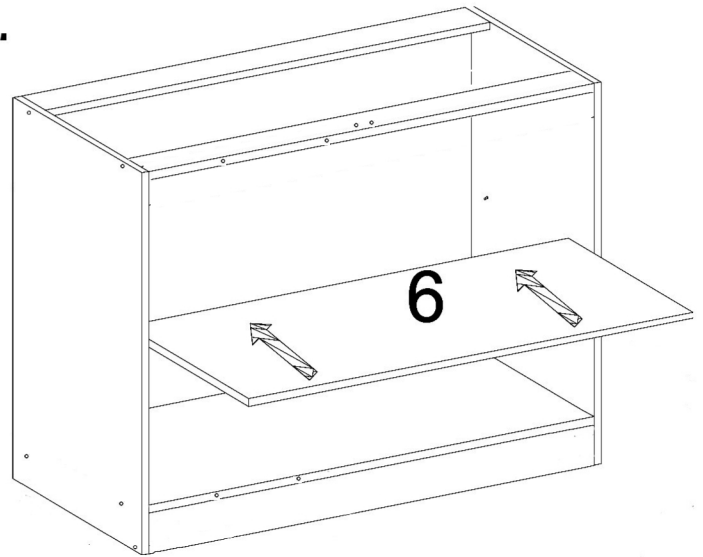
6.



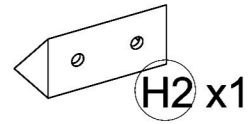
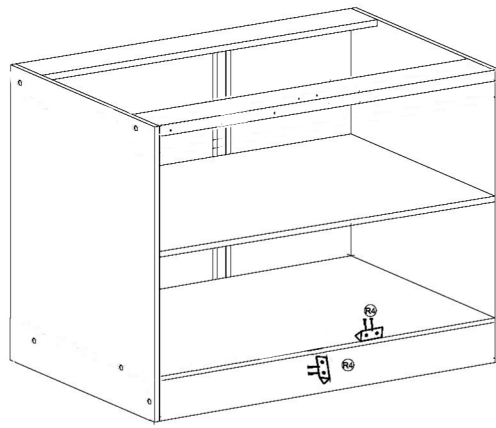
7.



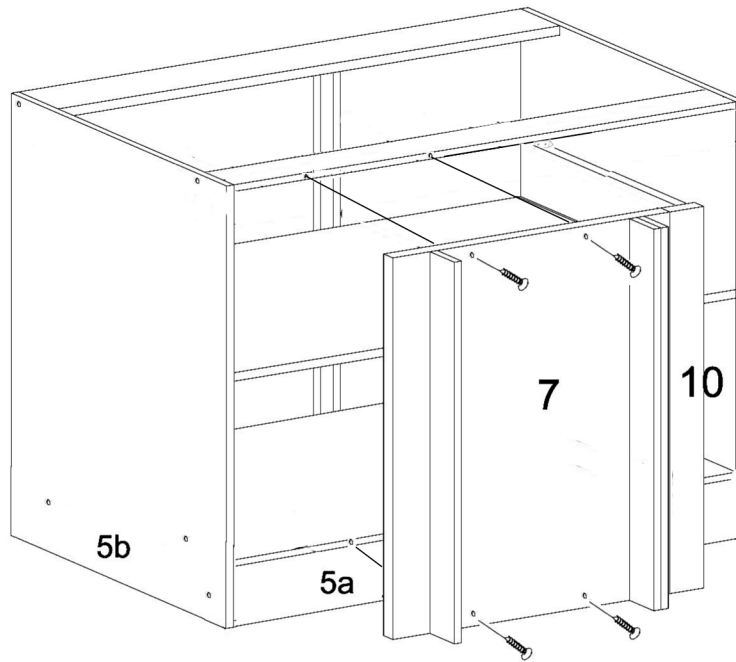
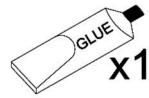
8.



9.



10.



11.

