

Ds4/3



G1x10



P2 2



Ø4x28 I2 x6



B6 x12



N2 x4



I1 x3



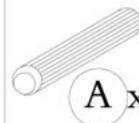
K x1



N1x44



A x24



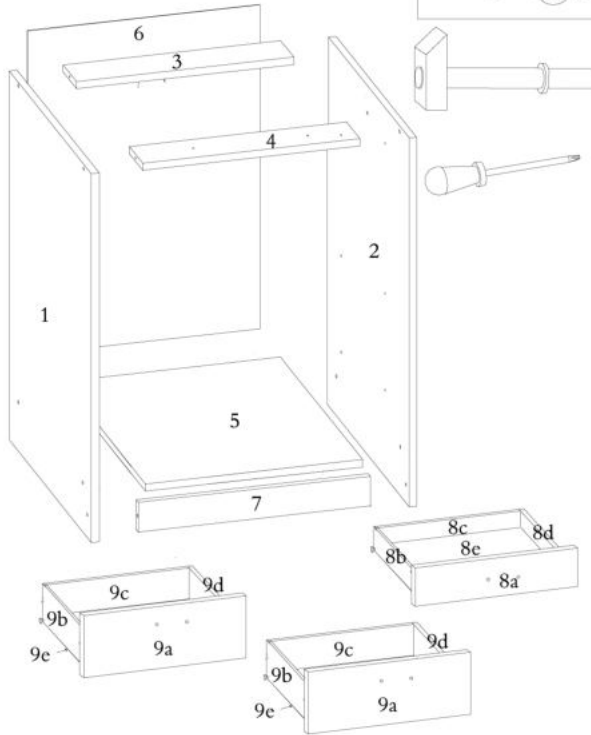
R4 x12



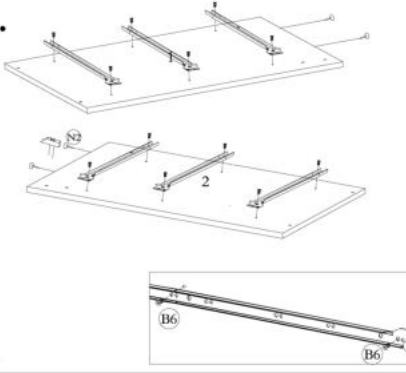
R1 x3



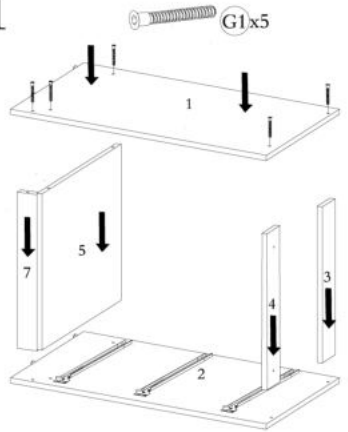
1.



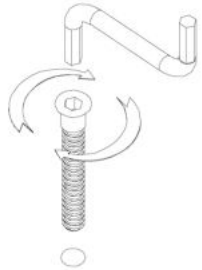
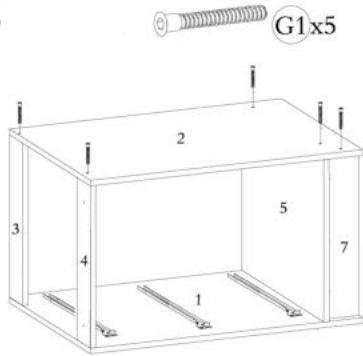
2.



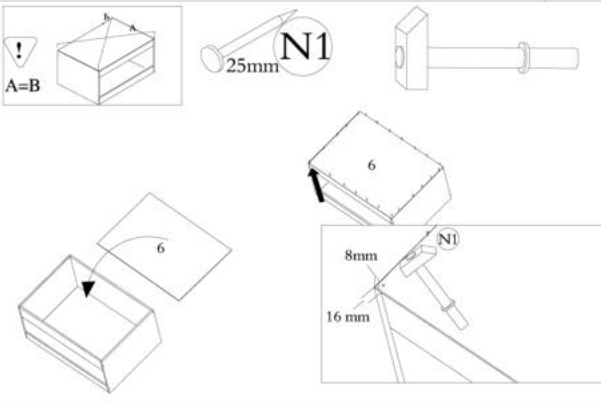
3.1



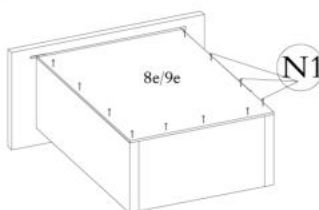
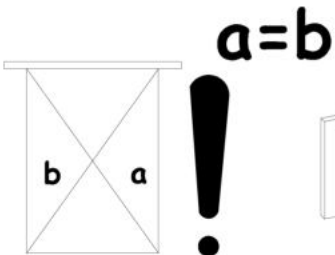
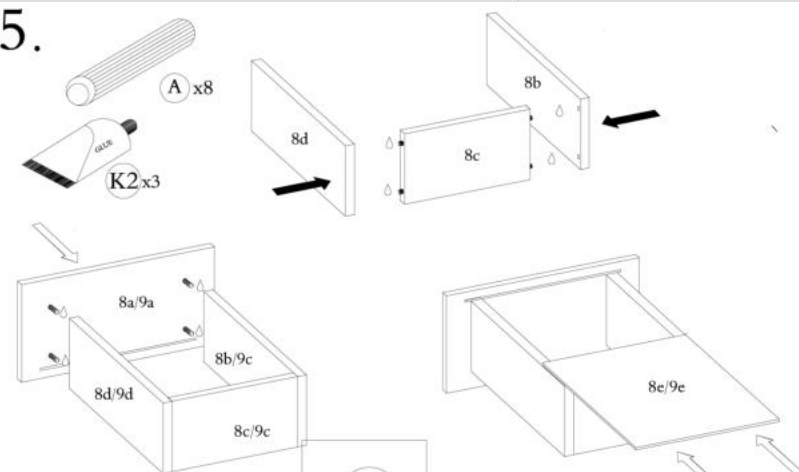
3.2



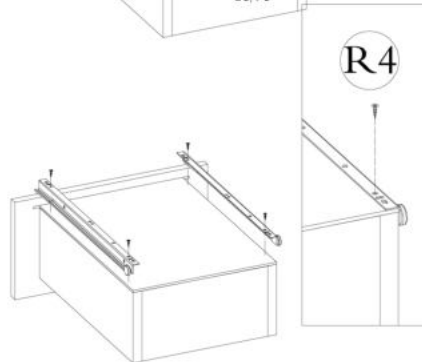
4.



5.



R4



7.

x3

