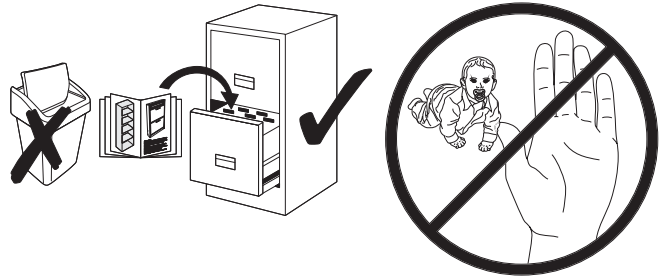
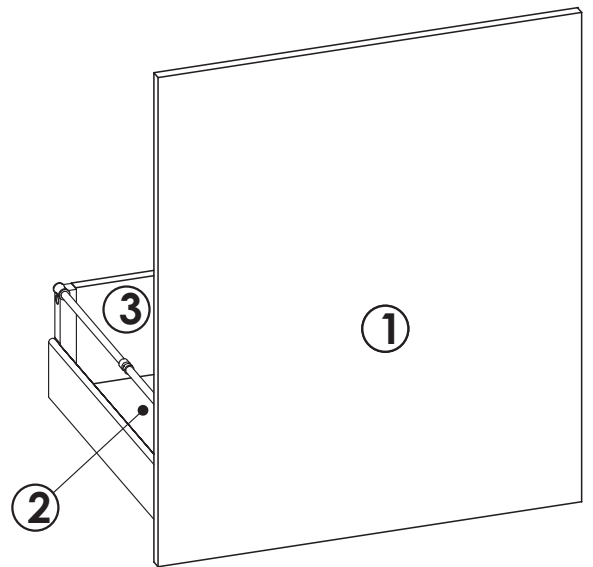
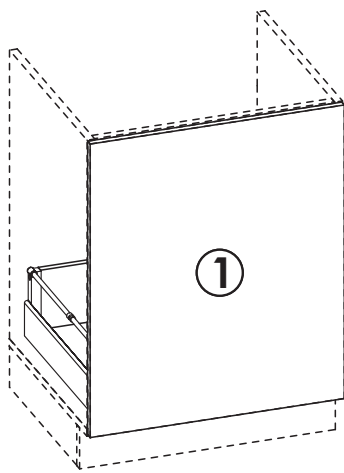


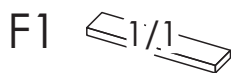
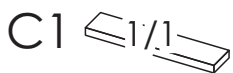
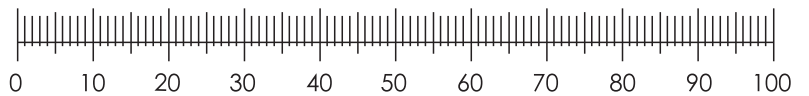
KPL SZUF D1ZE 60-80 / D5AE 60



D1ZE 60/80

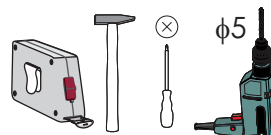
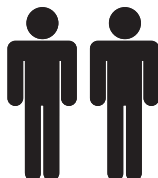


| | | | | | | | | |
|---|---|-----------------------------|--------------------------------------|--------------------------------------|----------------------------------|------------------------------------|-----------------------------|-----------------------------|
| c1 Euro 4x13 x....(x8) | c2 Euro 5x13 x....(x8) | d5 x....(x2) | i5 3,5x30 x....(x4) | i6 3,5x40 x....(x2) | it0 x....(x1) | it1 x....(x1) | it2 x....(x2) | it3 x....(x2) |
| it5 x....(x1) | it6 x....(x1) | it7 x....(x2) | it8 x....(x2) | n2 3,5x16 x....(x8) | p0 ø5 x....(x2) | p14 ø10 x....(x2) | D1ZE 60/80 | |



② -C1
③ -C1

① -F1



- 30 min.

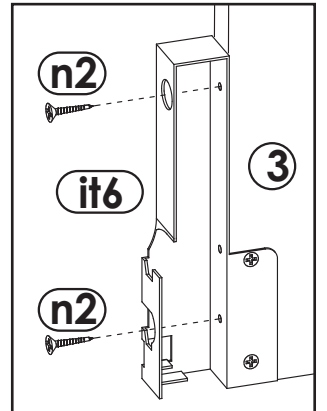
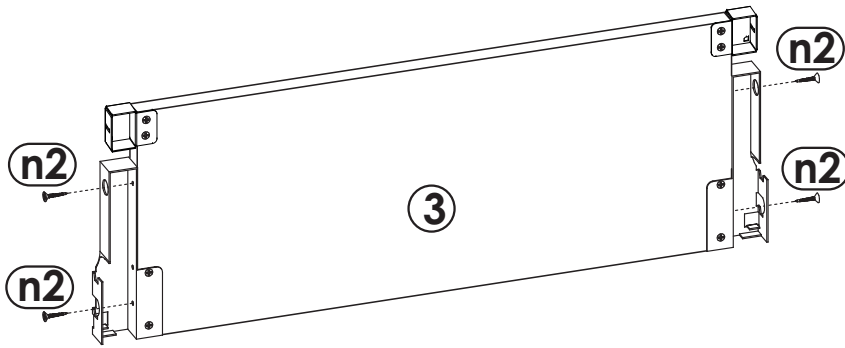


3

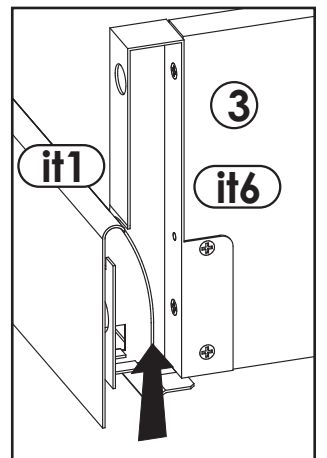
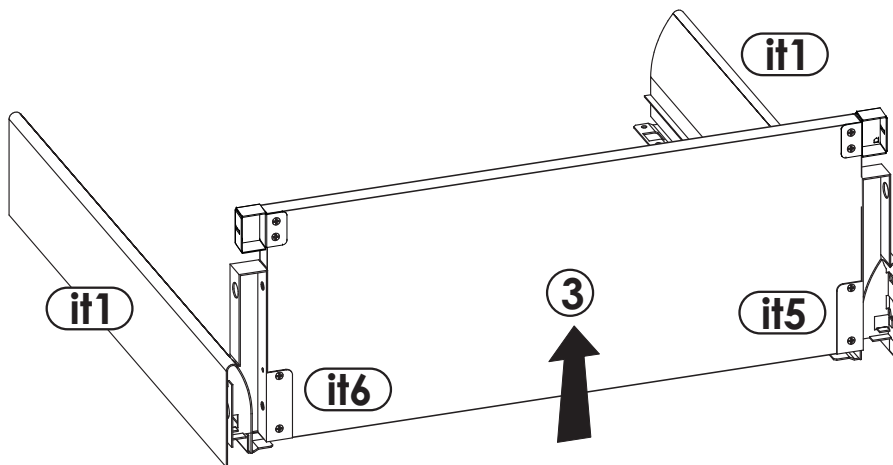


n2

 3,5x16
 X4



4

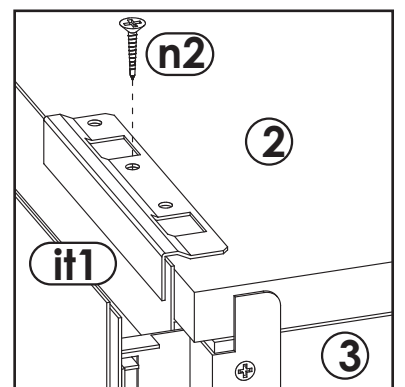
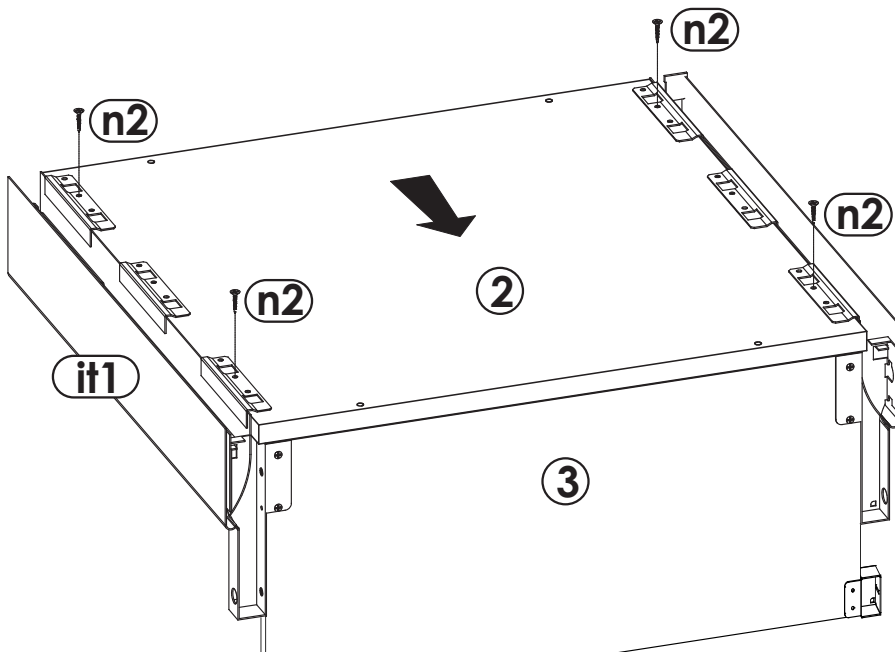


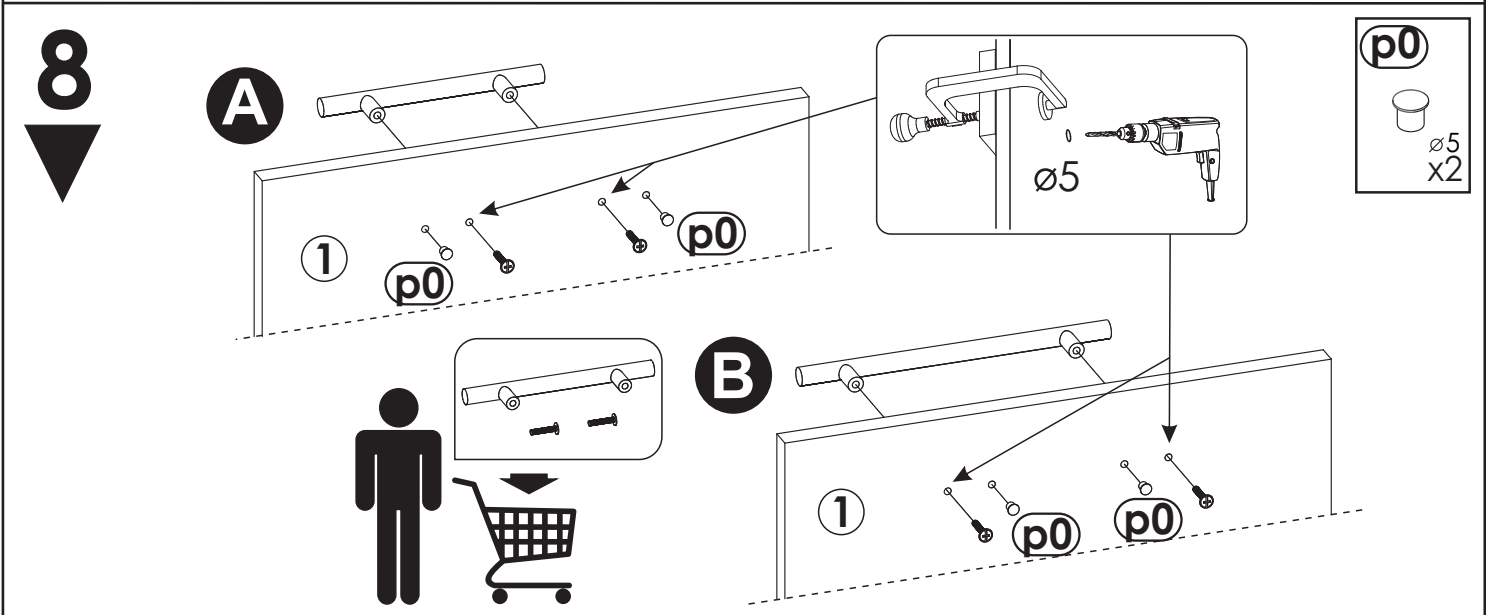
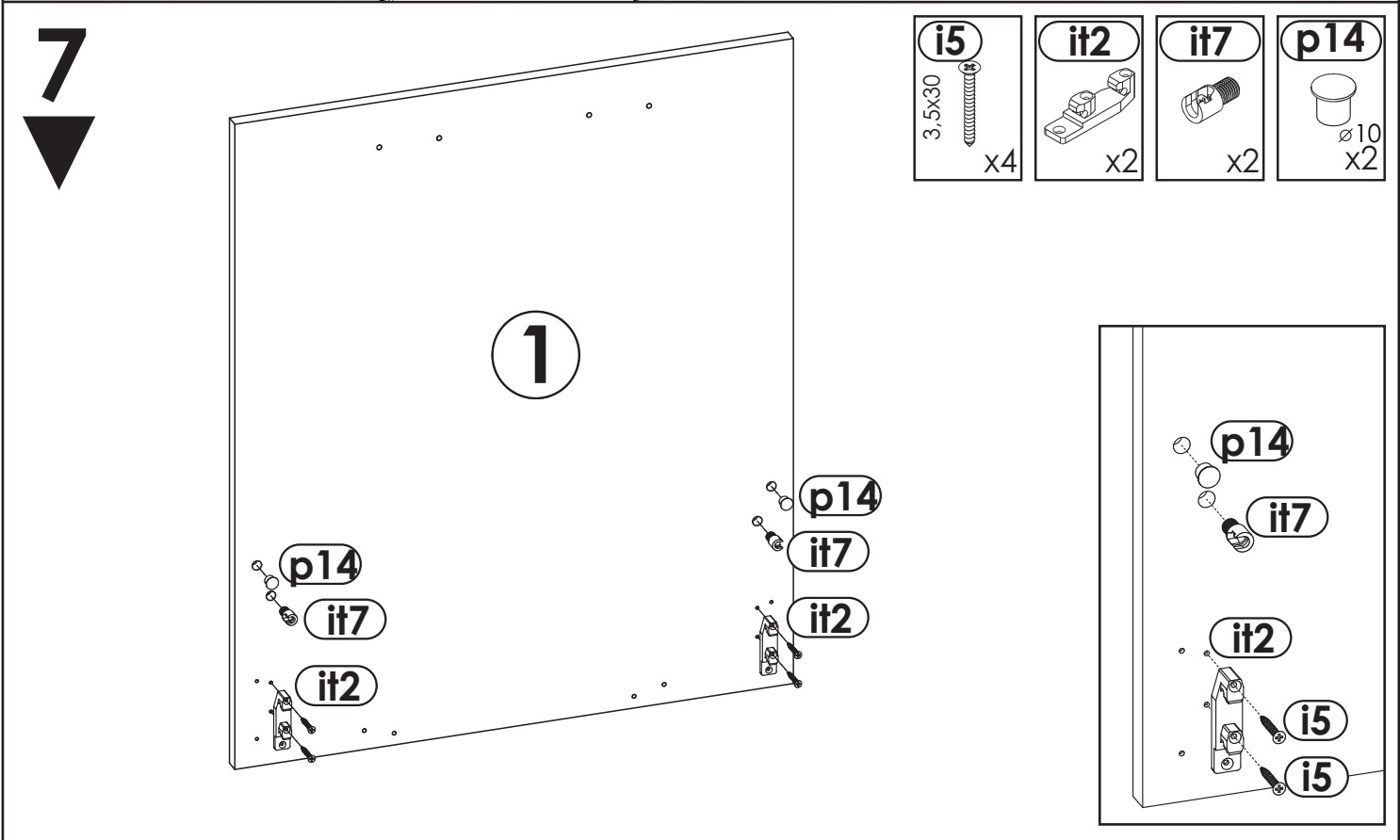
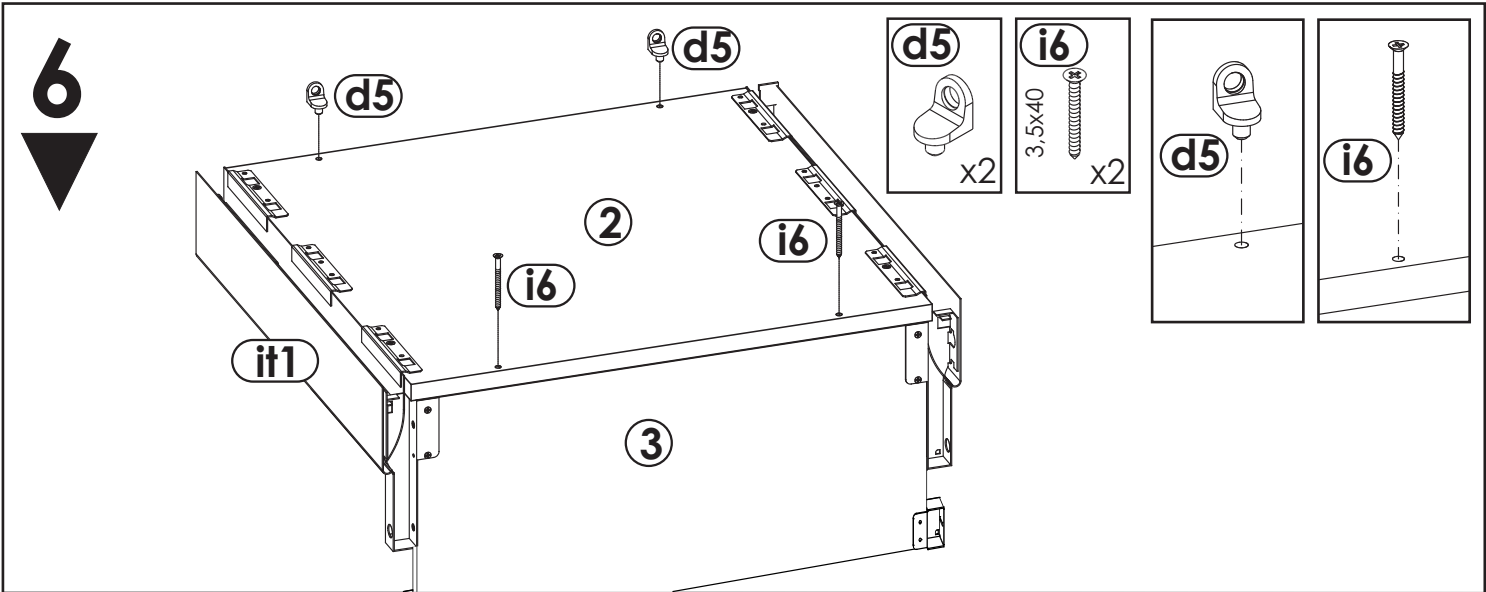
5



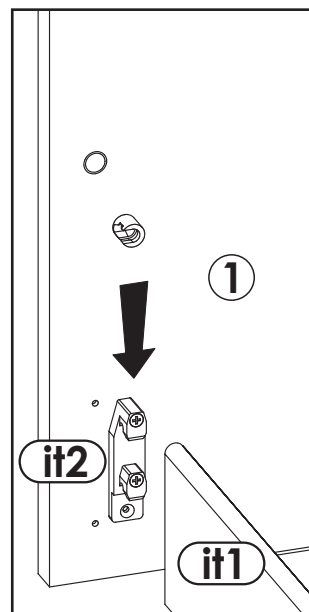
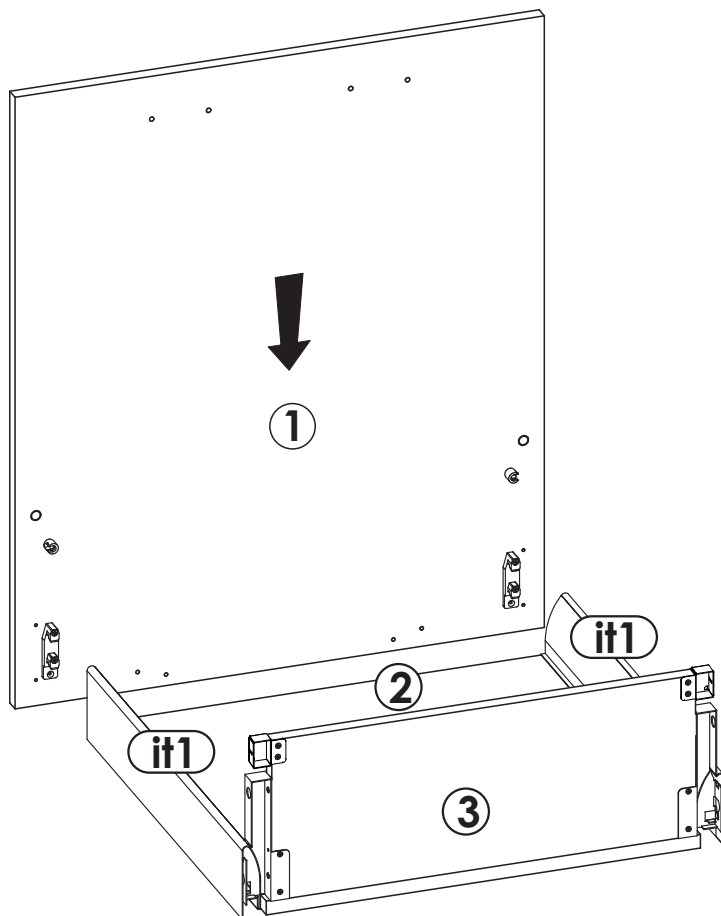
n2

 3,5x16
 X4

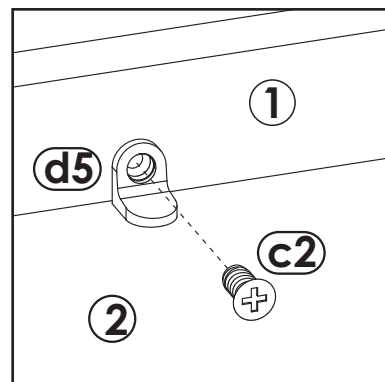
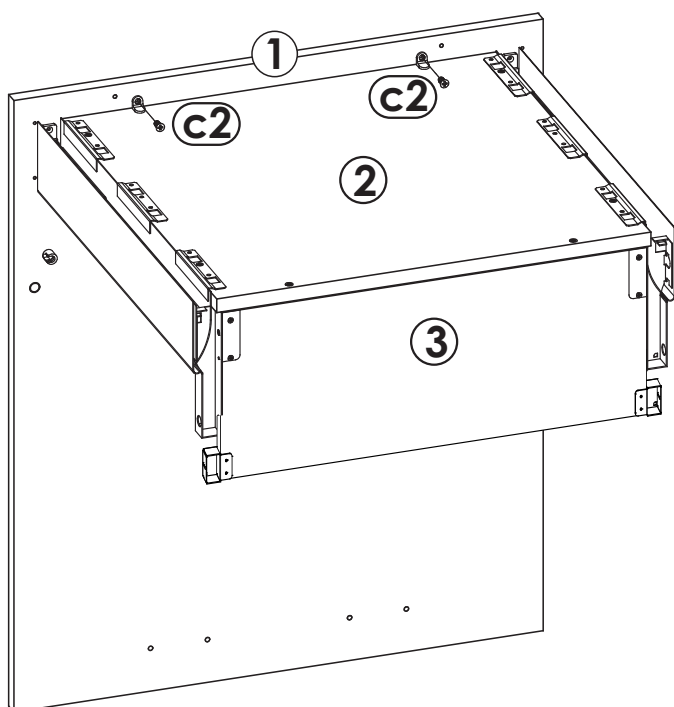




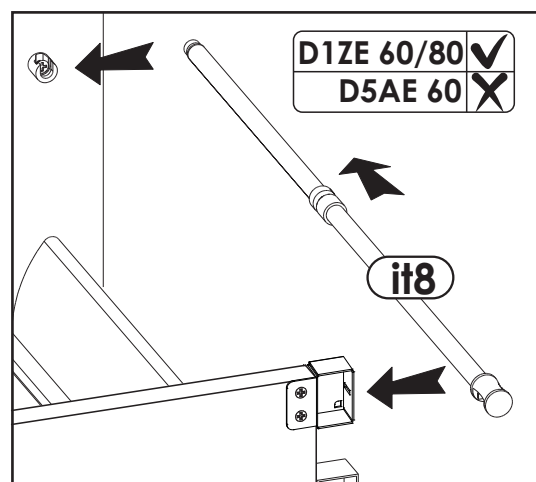
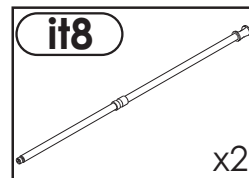
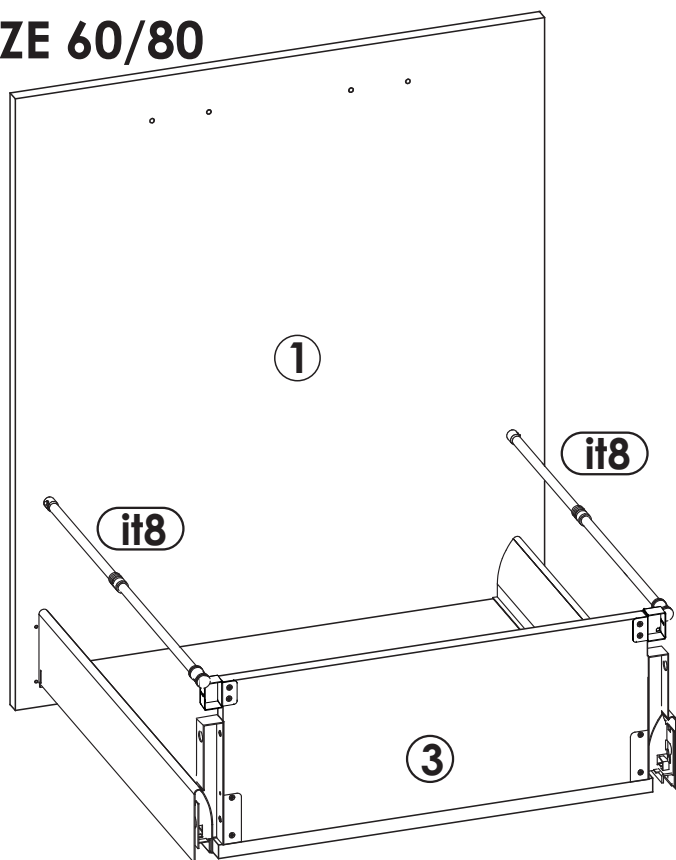
9
▼



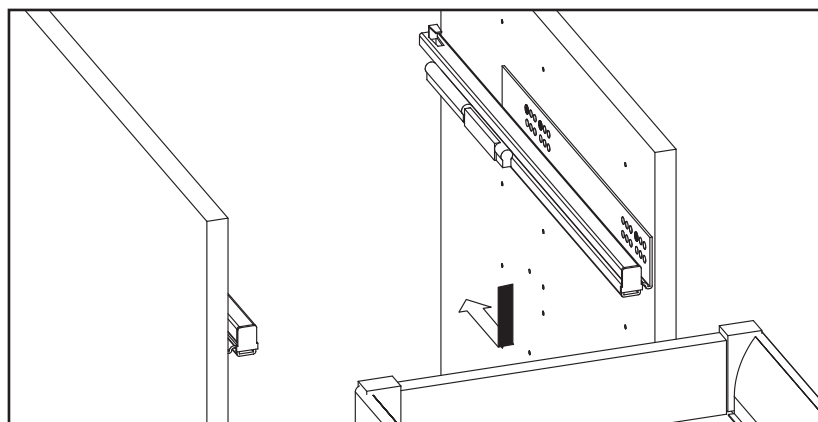
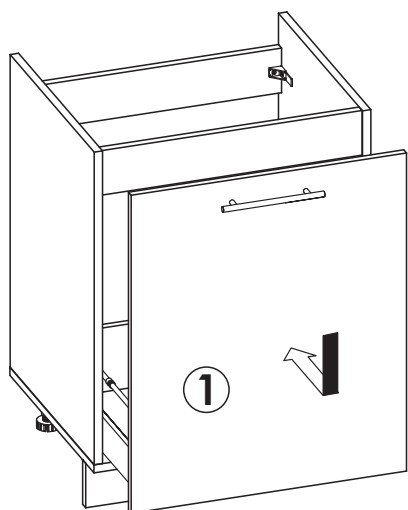
10
▼



11 D1ZE 60/80

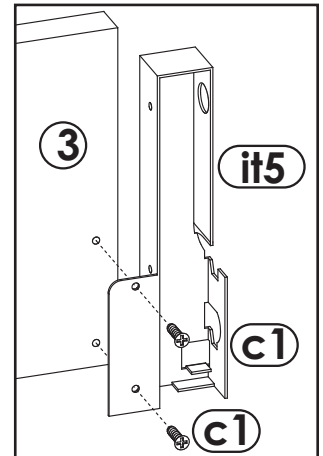
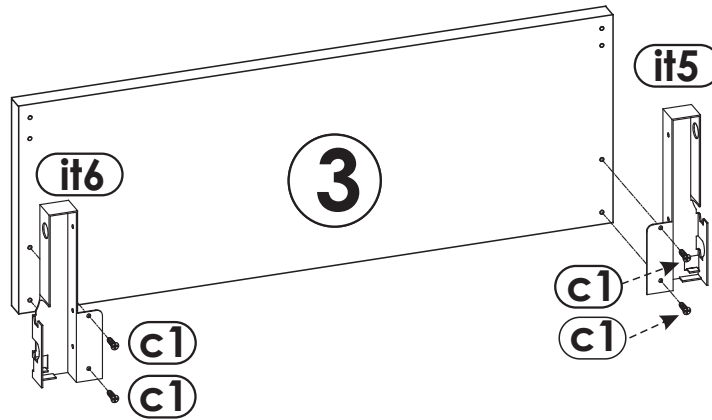
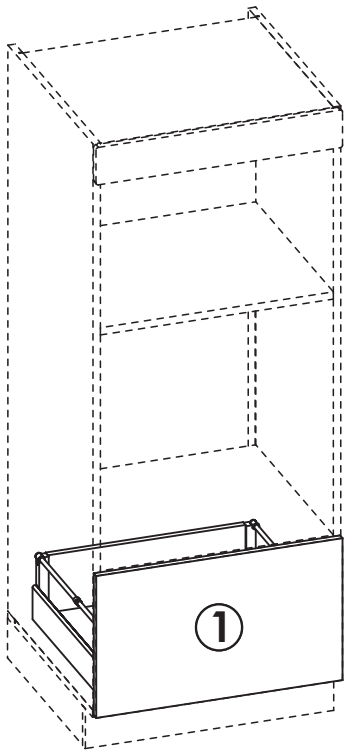
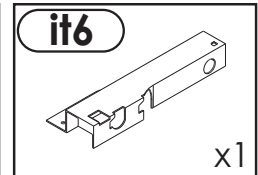
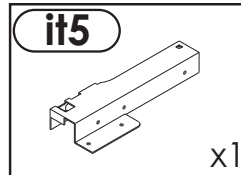
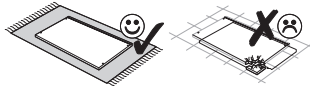


12 D1ZE 60/80



D5AE 60

2



11

