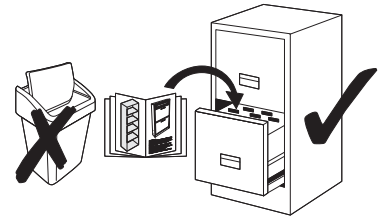
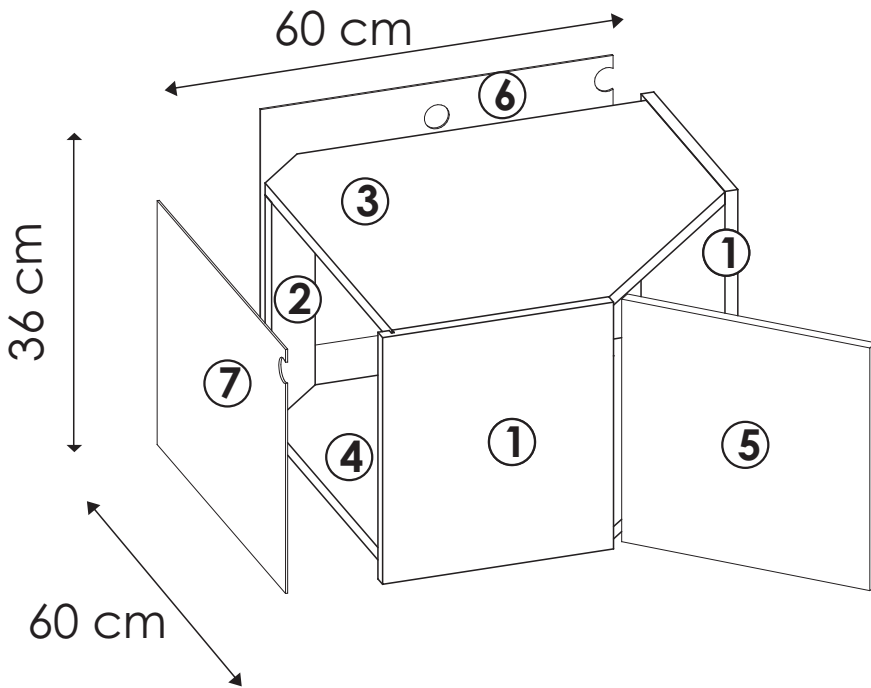



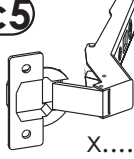



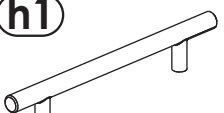


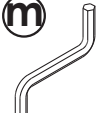


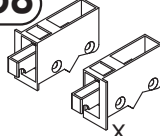


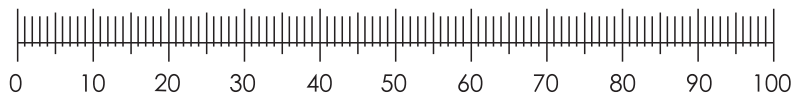


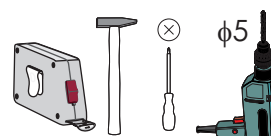
# W10 60 36



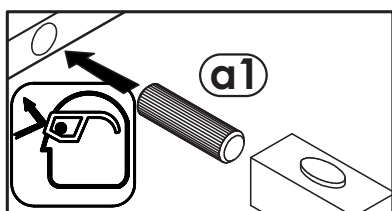
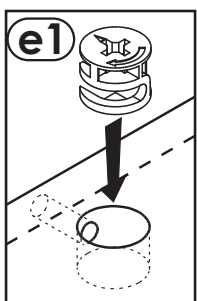
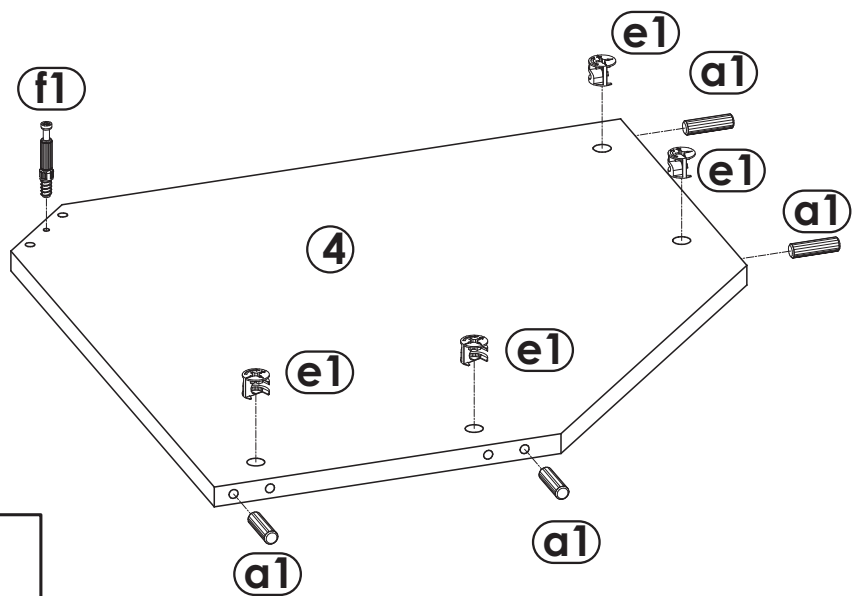
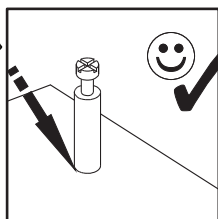
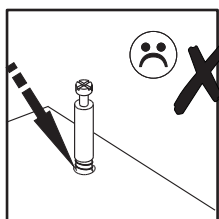
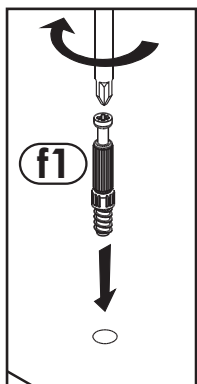
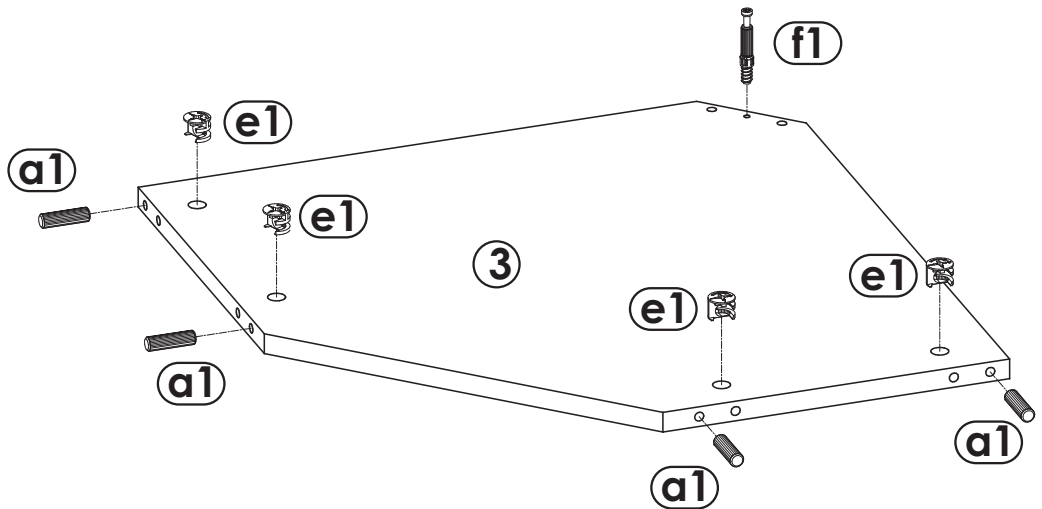
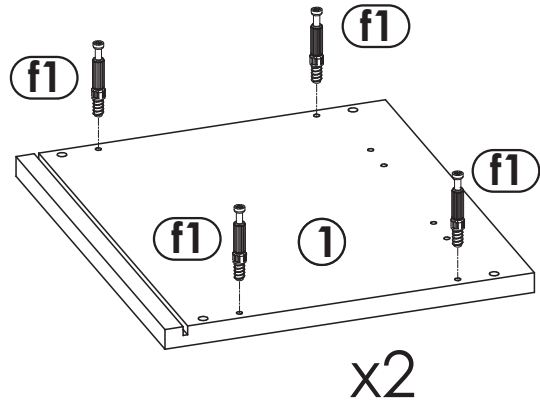
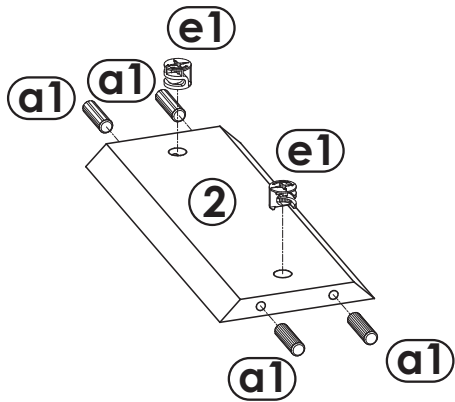
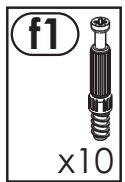
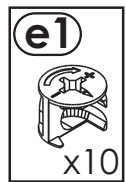
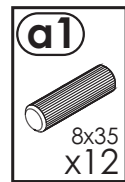
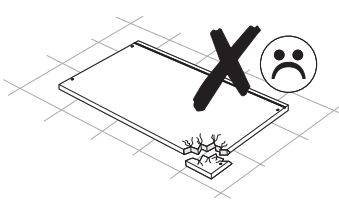
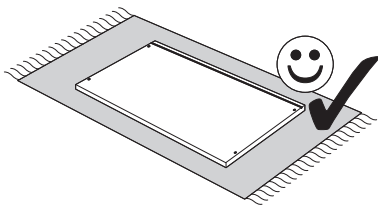
<b>a1</b>  8x35 x....(x12)	<b>c1</b>  Euro 4x13 x....(x4)	<b>bc0</b>  x....(x2)	<b>bc5</b>  x....(x2)	<b>e0</b>  x....(x10)	<b>e1</b>  x....(x10)	<b>f1</b>  x....(x10)		
<b>h1</b>  x....(x1)	<b>i5</b>  3.5x30 x....(x4)	<b>k3</b>  4x22 x....(x2)	<b>m</b>  x....(x1)	<b>n1</b>  3x16 x....(x30)	<b>p01</b>  x....(x6)	<b>p8</b>  x....(x1)	<b>r4</b>  x....(x6)	<b>w16</b>  x....(x1)



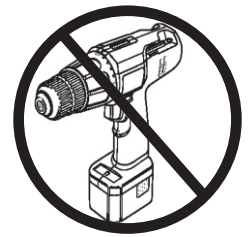
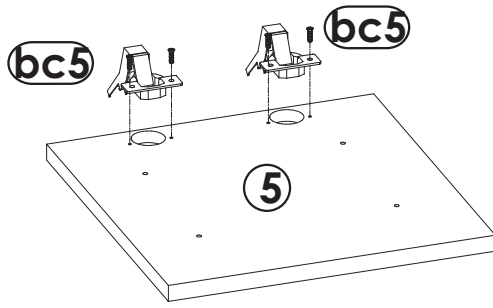
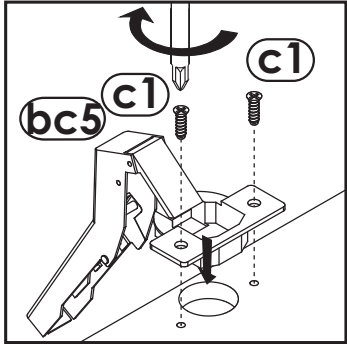
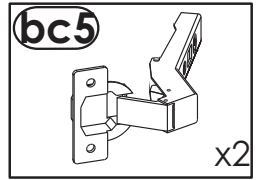
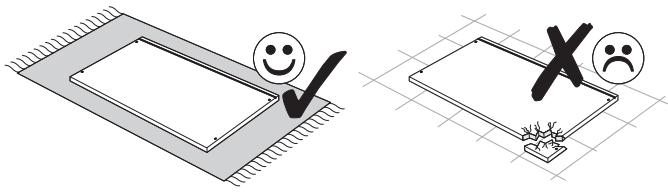
- ① -C1
- ② -C1
- ③ -C1
- ④ -C1
- ⑤ -C1
- ⑥ -C1
- ⑦ -C1



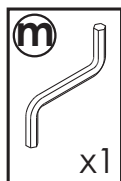
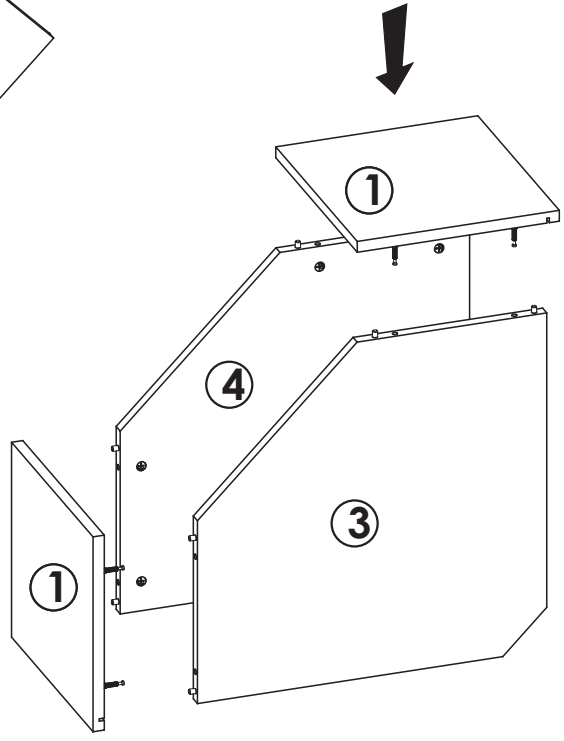
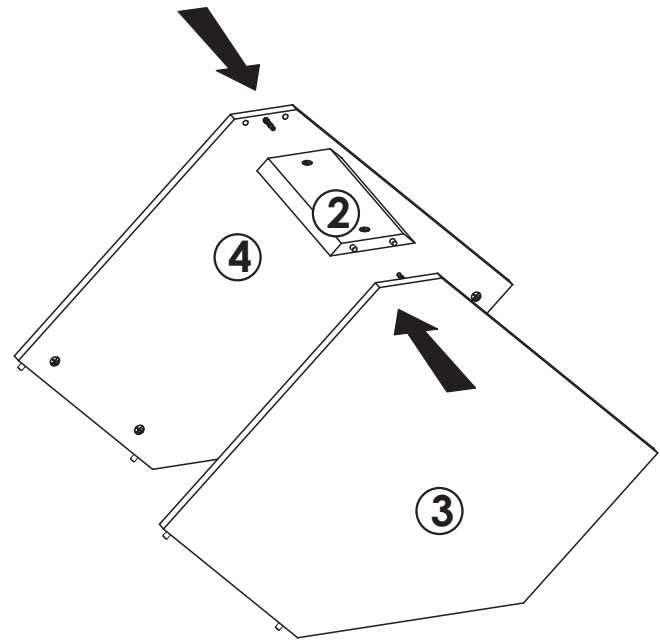
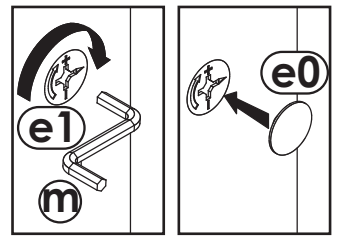
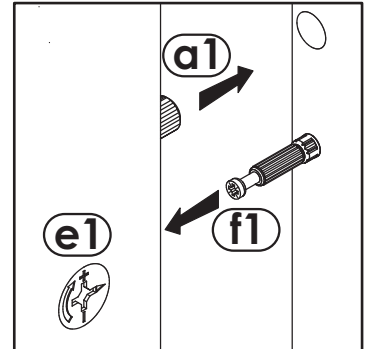
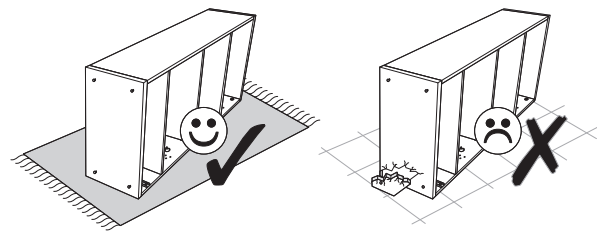
1



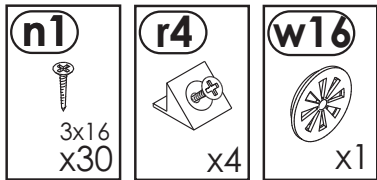
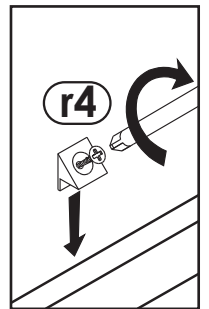
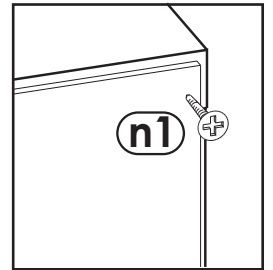
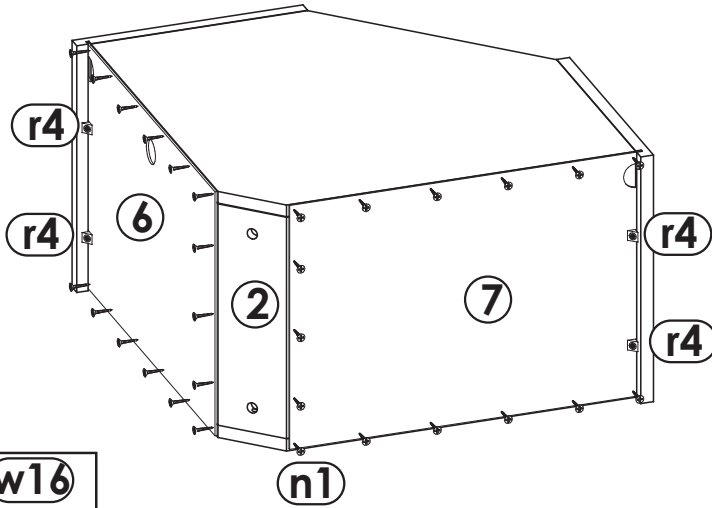
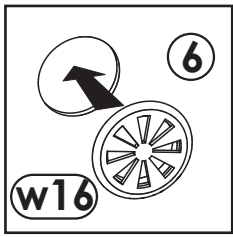
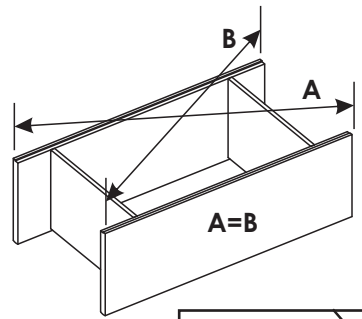
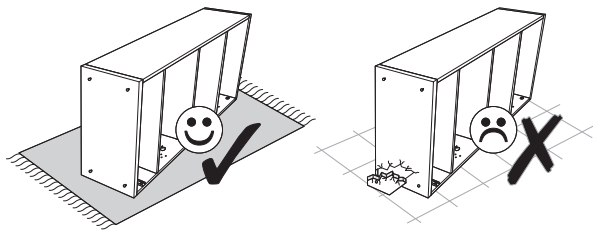
2



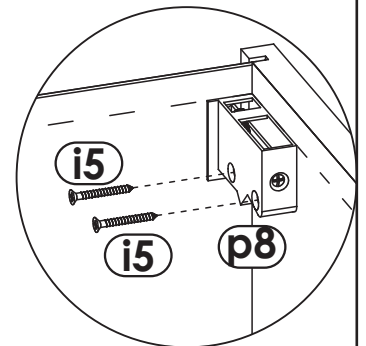
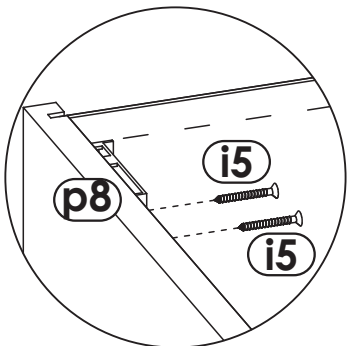
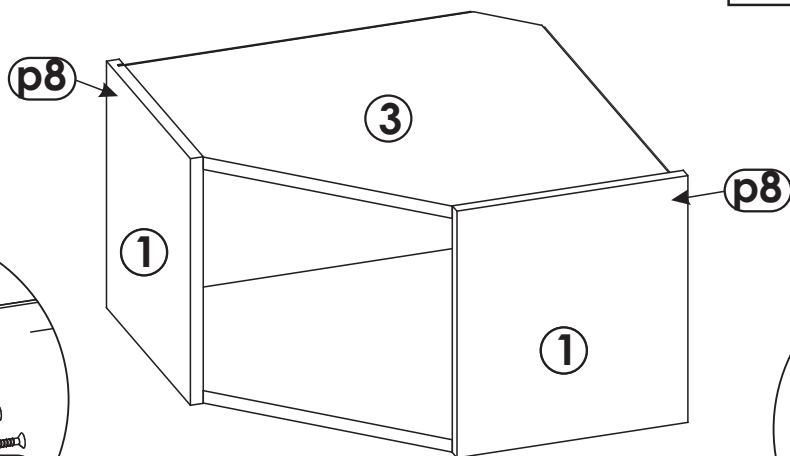
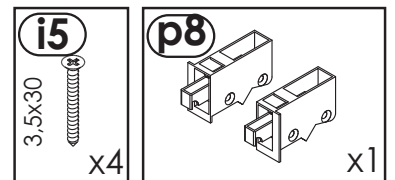
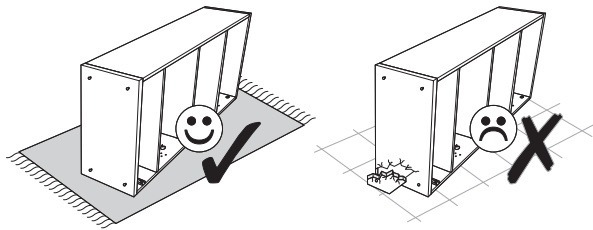
3



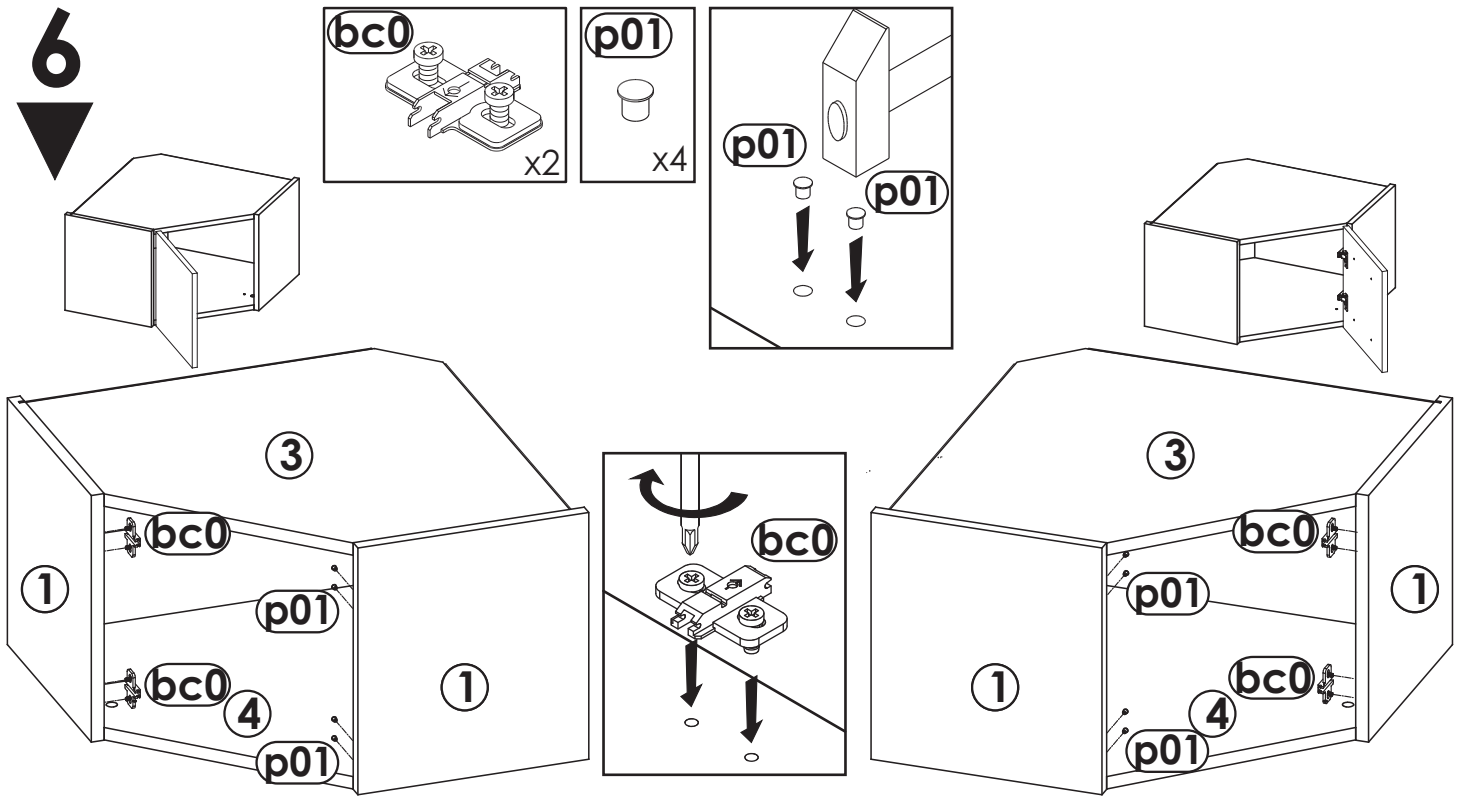
# 4



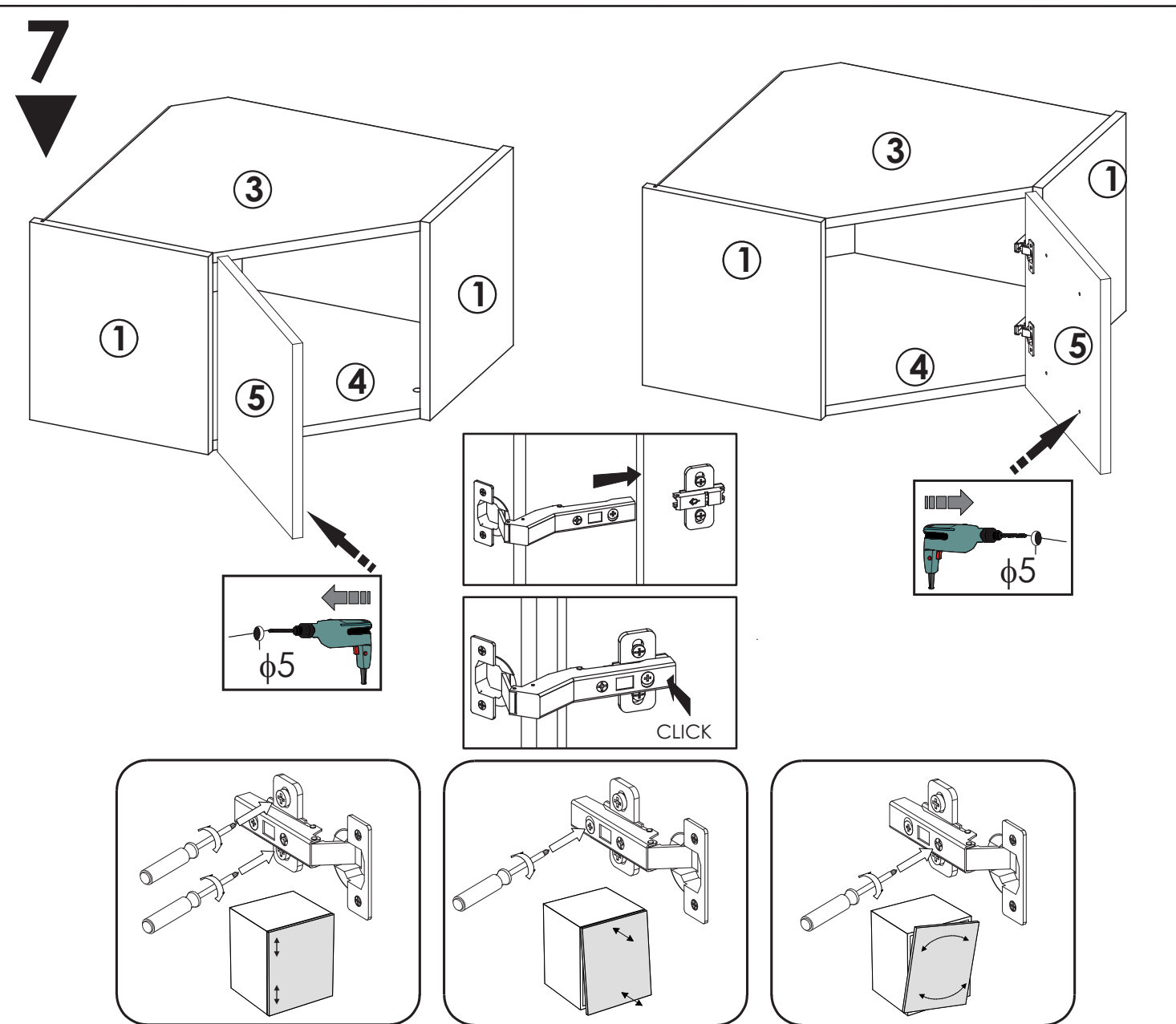
# 5



6



7



8

