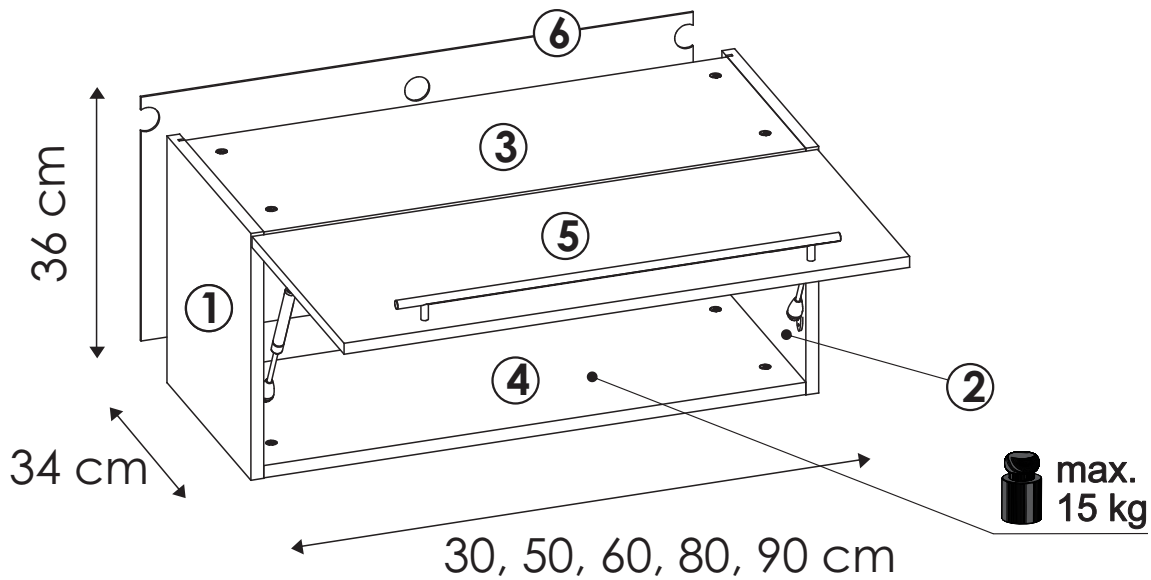
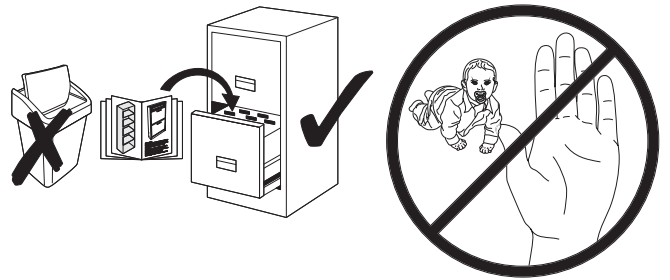
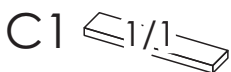
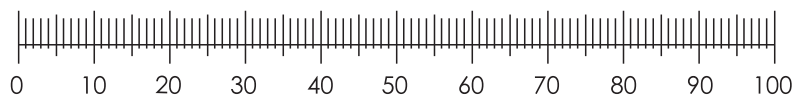


W4BU 30,50, 60, 80, 90



a1 8x35 x....(x8)	c1 Euro 4x13 x....(x4)	bc0 x....(x2)	bc1 x....(x2)	e0 x....(x8)	e1 x....(x8)	f1 x....(x8)	h1 x....(x1)	
i5 3,5x30 x....(x4)	k3 4x22 x....(x2)	m x....(x1)	n1 3x16 x....(x20)	n2 3,5x16 x....(x8)	p11 x....(x2) (W4B 30 - x....(x1))	p8 x....(x1)	r4 x....(x4)	w16 x....(x1)



- ① -C1
- ② -C1
- ③ -C1
- ④ -C1
- ⑤ -C1
- ⑥ -C1

